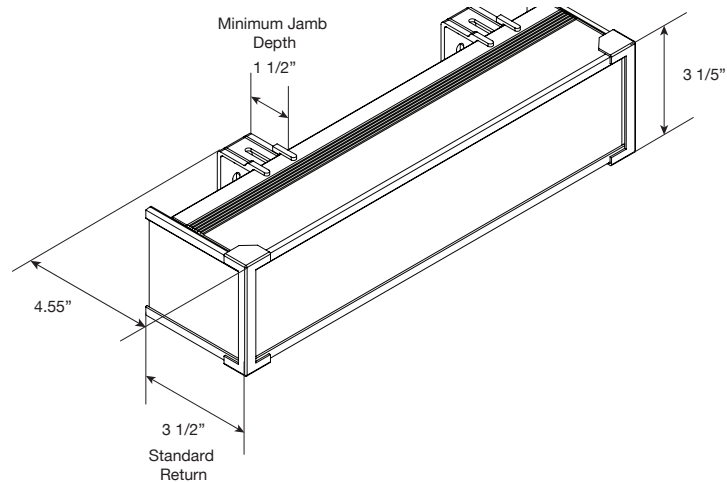


PVC Valance

Installation Instructions



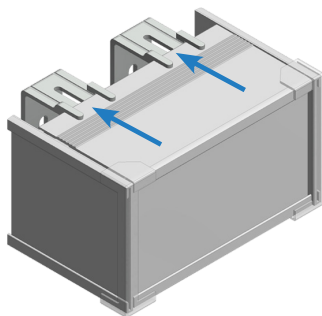
1 INSTALL THE MOUNTING BRACKETS

Mount each bracket to the wall or ceiling using mounting screws.



2 ATTACHING THE VALANCE

Snap the PVC valance onto the mounting brackets.



NOTE: If valance has fabric insert, handle carefully to ensure the fabric is not damaged or dislodged.